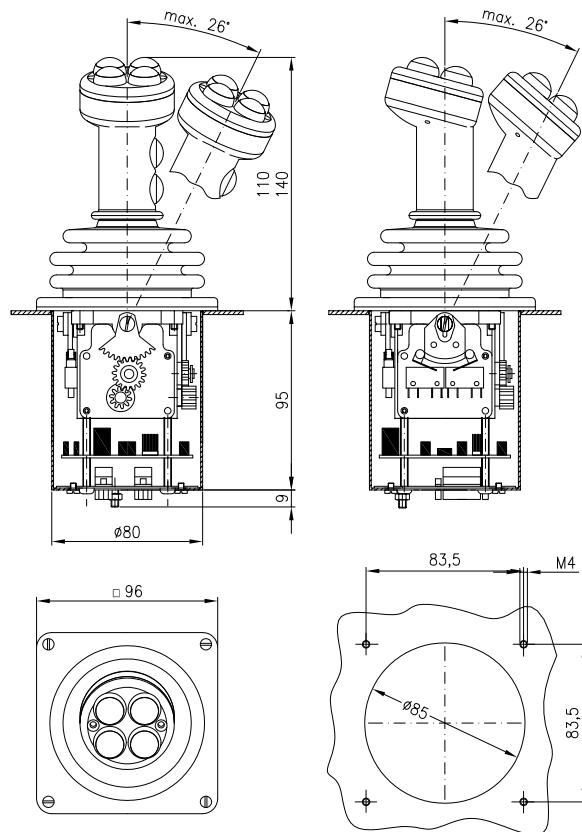
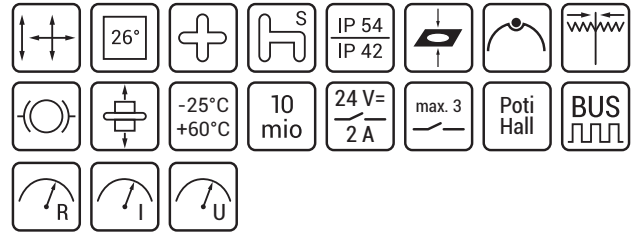


CS1

Compact 2-axis joystick with bus connection.



This compact, yet versatile joystick series is proof that joysticks do not have to be large. The durable and precise metal gear, controlled with an 8 mm (12 mm for single drive) handle shaft, drives with stamped cam discs, micro-switches or metal gears conductive plastic or wire-coiled potentiometers. Electronic interfaces for bus connection and amplifier assemblies for analogue transmission that are protected

and shielded with a metal enclosure cup can be optionally installed under the impact-resistant, anti-aging plastic drive block. The wide range of options is made possible on the basis of a modular principle including standard and special escutcheon plates, rubber boots, and handles. If your desired version is not included, we will develop it specially optimized for your application.

Drives 1- or 2-axis:

Drive E

Arrangement Y, X

Drive V

View direction ↑



View direction ↑

CS1S--AK E $\begin{matrix} X \\ Y \end{matrix}$ R

CS1S--AK V R

CS1.72--AK E $\begin{matrix} X \\ Y \end{matrix}$ R

CS1.72--AK V R

CS1.96--AK E $\begin{matrix} X \\ Y \end{matrix}$ R

CS1.96--AK V R

CS1.G--AK E $\begin{matrix} X \\ Y \end{matrix}$ R

CS1G--AK V R

Project planning note:

Legend:



Mounting direction potentiometer

The handles are always aligned in the direction of view.
The direction of view is determined by drive and arrangement.

Scope of supply, type code, contact circuits

Scope of supply CS1S

- Mounting ring
- Handle G41 without inserts
- Rubber boot
- Spring return
- Zero notch
- Symmetrical limiting gate 26°
- Connection side: IPO0

Scope of supply CS1.72

- Aluminium escutcheon plate black 72x72 mm
- Handle G41 without inserts
- Rubber boot
- Spring return
- Zero notch
- Symmetrical limiting gate 26°
- Connection side: IPO0

Scope of supply CS1G

- Aluminium escutcheon plate black 96x96 mm
- Handle G41 without inserts
- Rubber boot
- Spring return
- Zero notch
- Symmetrical limiting gate 26°
- Protective housing for drive/electronics

Handle/Attachments

- Inserts in handle see sheet G-1/...
- Potentiometer see sheet E-Electronic-1
- Contact circuits see sheet TI-S-7
- Electronics see sheet E-Electronic-3

- Spring return without zero notch RL
- Friction brake with zero notch per axis B
- Cross gate KK
- Special limiting gate SAK
- Special gate SK
- Slot gate (necessary at drive E with IZ) SZK
- Special notching disc SRS
- Mechanical interlock with handle G41Z
- Lever length 80 mm
- Wiring to connection cable or plug

Contact circuits

Standard with microswitches

Solder connection
silver contact

M

M1

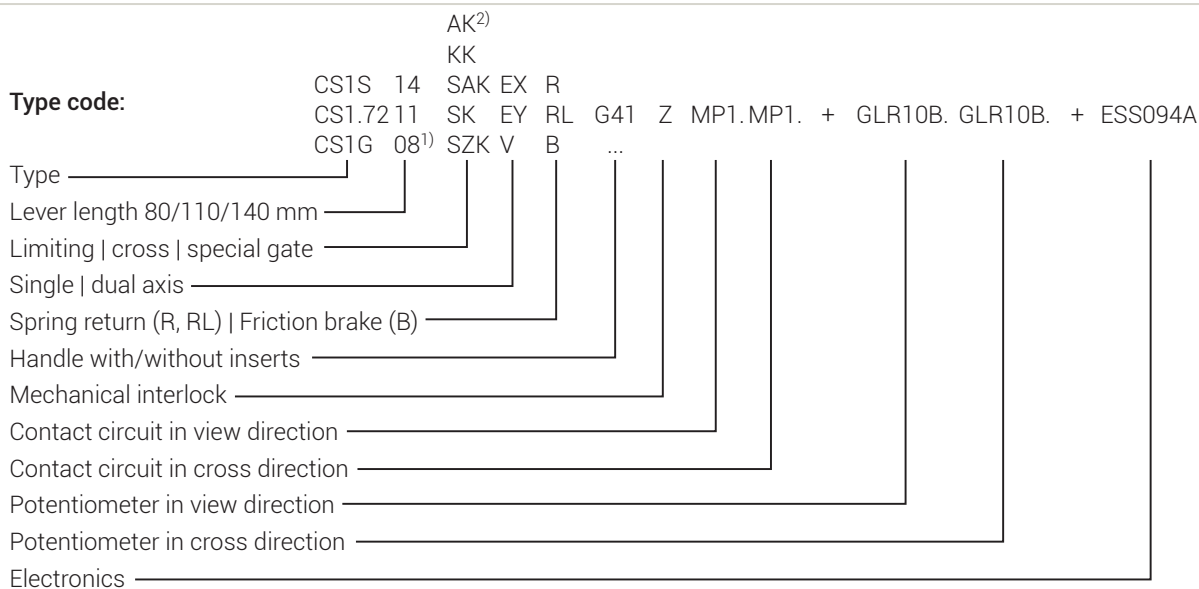
Arrangement contacts see sheet TI-S-7

Standard with microswitches in combination with potentiometers

Solder connection
silver contact

MP

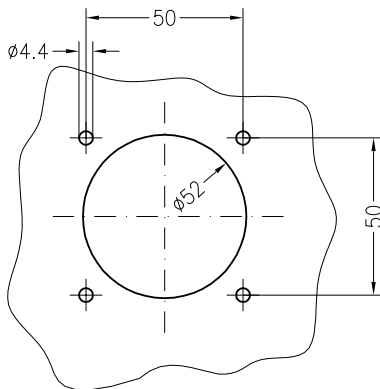
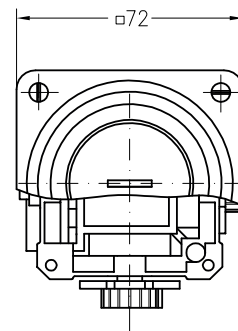
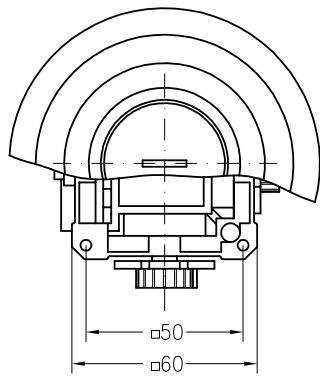
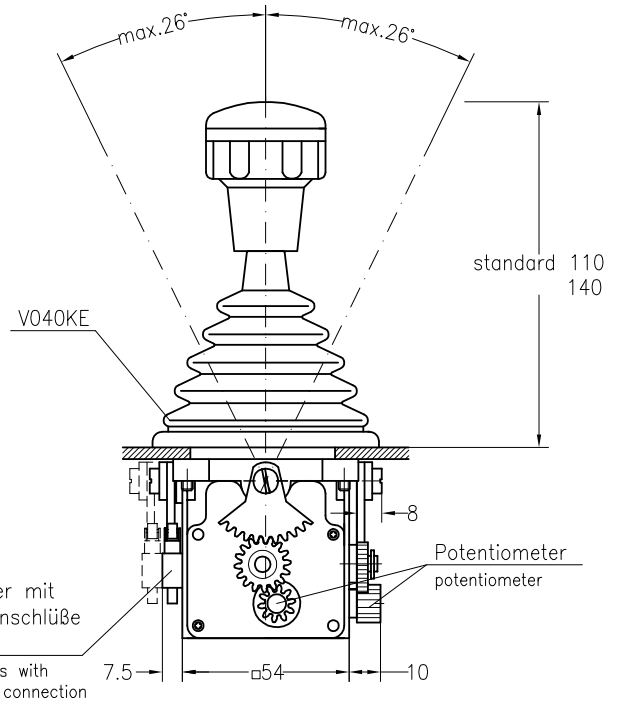
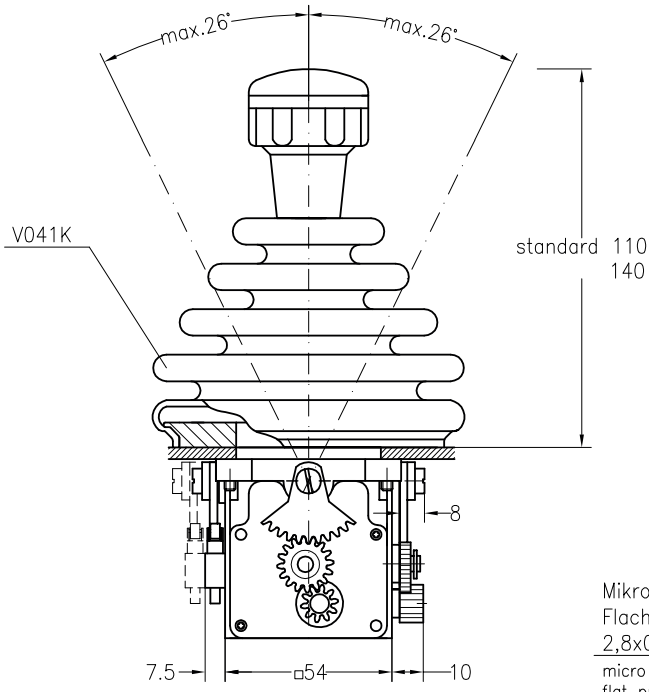
MP1



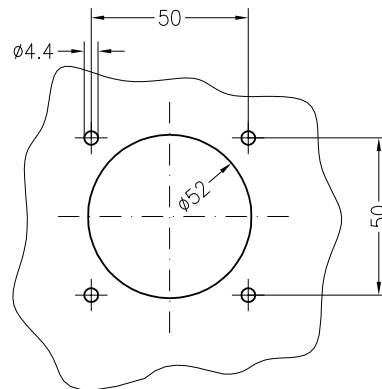
1) only version with handle G9, G25
2) AK (26°) standard

Typ CS1S...
mit Stulpenhalterung
weitere Griffe siehe G...
type with rubber boot holder
other handles see G...

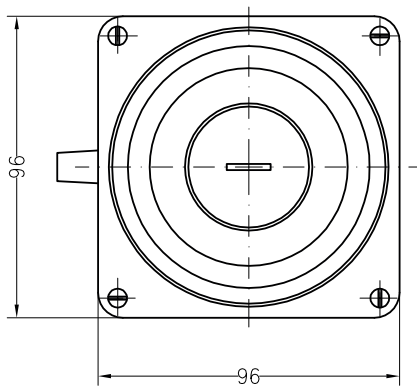
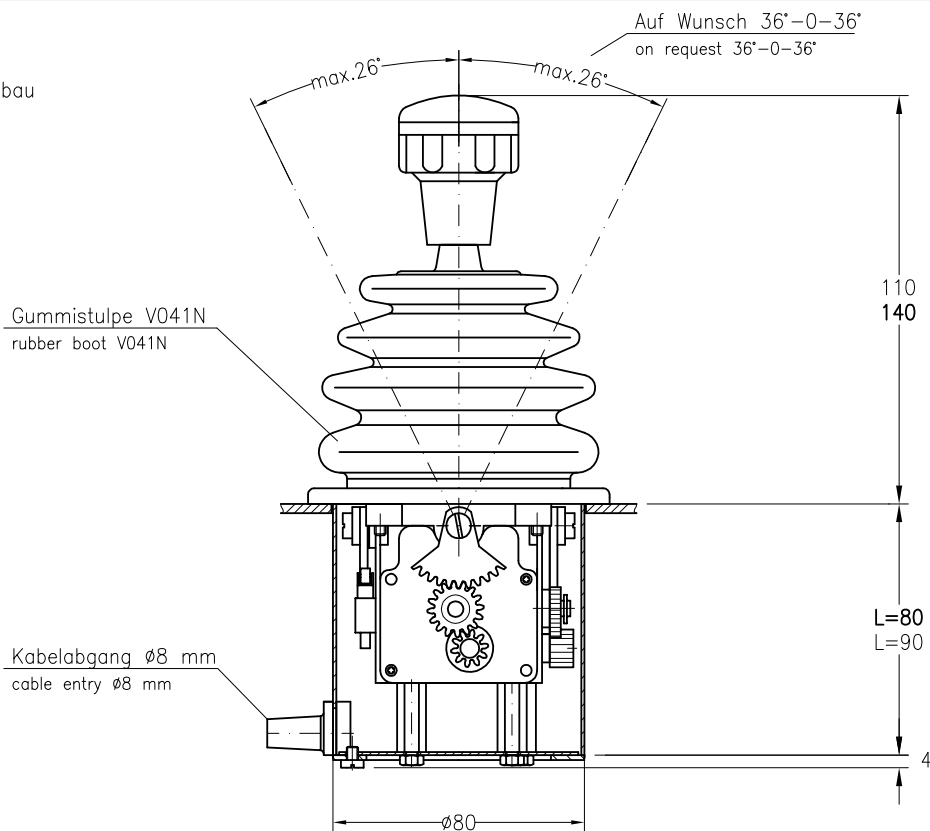
Typ CS172...
mit Rosette 72x72 (nicht beschriftbar)
weitere Griffe siehe G...
type with escutcheon plate 72x72 (no engraving possible)
other handles see G...



Bohrungen in der Befestigungswand
mounting dimensions



Typ CS1G...
gekapselt IP54
für frontseitigen Einbau
type enclosed IP54
mounting in front side



Einbauöffnung:
mounting dimensions

