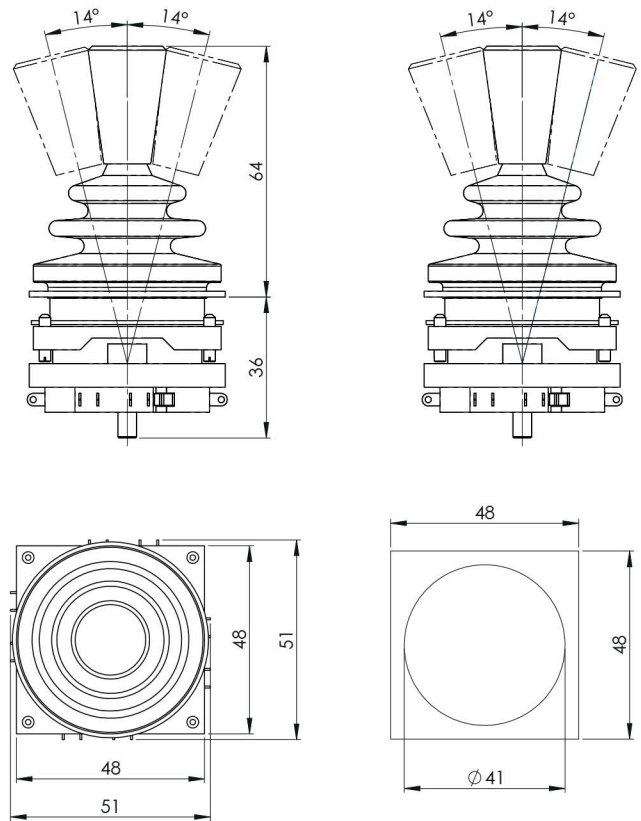
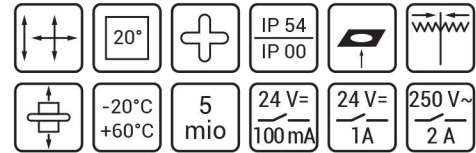


# MON-OS

Small installation depth.

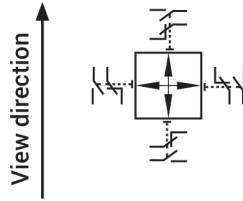
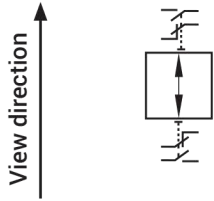


The joystick MON-OS is due to its small installation depth ideal for installation in casings with low height. Despite its compact design it comes with a 1- or 2-axis version with spring return. Its body, made of durable plastic, serves as a carrier for the microswitches. For each switching direction a microswitch with one NO and one NC contact is available. Its contacts switch small DC voltages / DC currents just

as reliably as AC voltages. The hollow lever, made of metal for reasons of stability, allows the construction of a handle with pushbutton. For applications with specific switching functions the joystick can be equipped with a cross or special gate. As a control switch for auxiliary functions it is, due to its low weight, ideally suited for installation in portable consoles as well as in fixed operating stations.

Drive E

Drive V



MON 5 ER OS

MON 5 VR OS.OS

Scope of supply, type code

**Scope of supply MON-WK:**

- Handle G49 (without installation)
- Rubber boot 50 mm
- Spring return
- Microswitch with gold plated silver contacts<sup>1)</sup> and soldered connection

**Handles:**

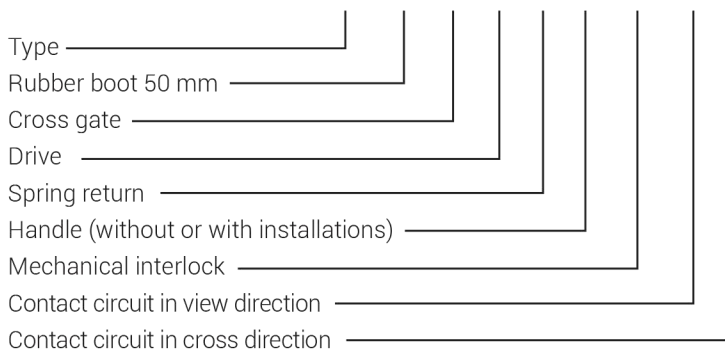
Fitting in handle

see sheet G-M054

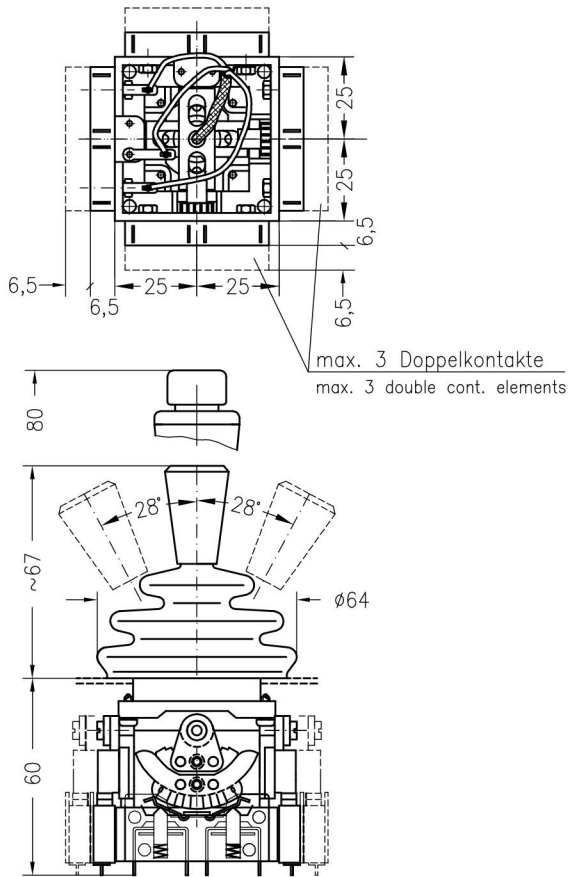
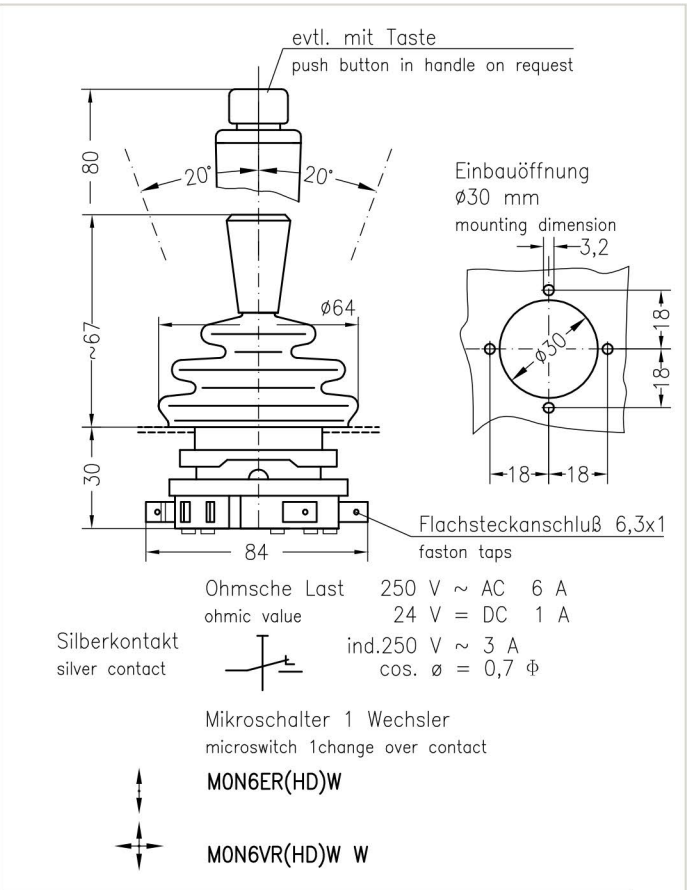
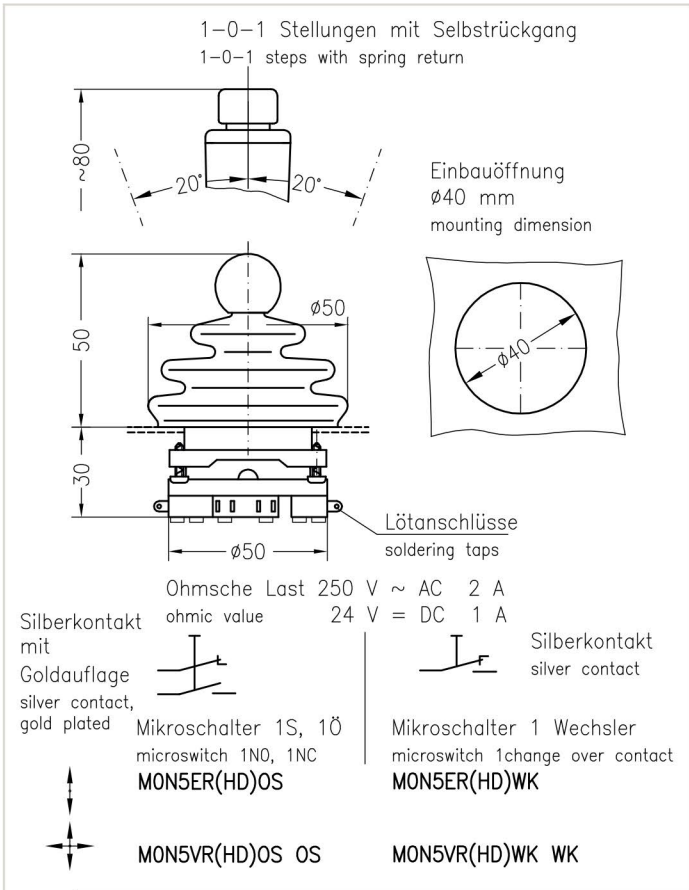
- Cross gate KK
- Mechanical interlock Z
- Ball handle KG
- Wiring to connection cable or plug

**Type code:**

MON 5 KK V R HDU Z OS. OS  
 E G49 HDS



1) If the switch capacity is too high the thin gold coat will be damaged.



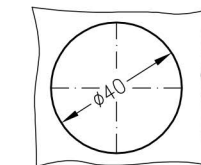
max. 5-0-5 Stellungen  
mit oder ohne Selbstrückgang  
5-0-5 steps

zwangsbetätigte Tastkontakte mit  
Goldauflage oder Silberauflage  
force actuated goldcontacts or  
silvercontacts

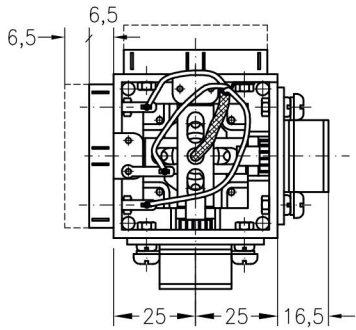
Typ  
**GMON6E...**  
**SMON6E...**

**GMON6V...**  
**SMON6V...**

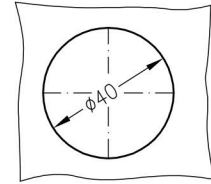
Gewicht ~ 0,1 kg  
weight ~ 0,1 kg



Einbauöffnung  
ø40 mm  
mounting dimension

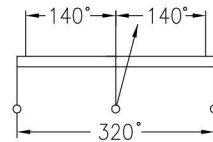


Einbauöffnung  
 Ø40 mm  
 mounting dimension



evtl. mit Impedanzwandler 4–20 mA  
 potentiometer – conductiv plastic

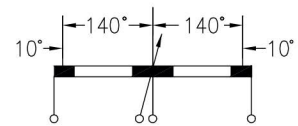
Potentiometer ohne Mittelanzapfung  
 potentiometer without centre tap



Leitplastik  
 conductiv plastic  
 1 kOhm Typ : B1  
 5 kOhm : B5  
 10 kOhm : B10

Achtung Schleiferbelastung max. 1 mA  
 warning: wiper current max. 1 mA

Potentiometer mit Mittelanzapfung und  
 Kurzschlußstrecken  
 potentiometer with centre tap and short circuit path

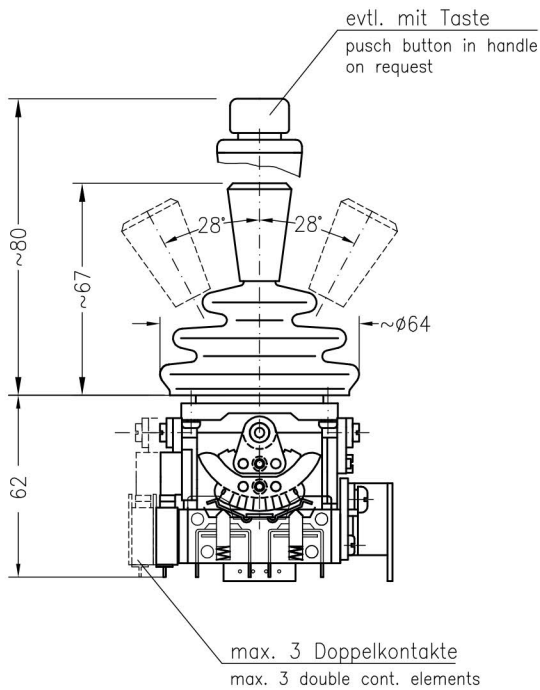


Leitplastik  
 conductiv plastic  
 5–0–5 kOhm Typ: B55  
 10–0–10 kOhm Typ: B1010

Achtung: Schleiferbelastung max. 1 mA  
 warning: wiper current max. 1 mA

Drahtgewickelte Potentiometer – 2 Watt  
 potentiometer wire wound – 2 Watt  
 PD 200 1–0–1 kOhm  
 5–0–5 kOhm  
 10–0–10 kOhm

Andere Potentiometer und Ohmwerte,  
 bzw. Spannungs- oder Stromausgang  
 auf Anfrage  
 other potentiometer or ohmic value  
 on request



Typ: SMON6ER--B  
 GMON6ER--B

Gewicht: 0,16 kg  
 weight: 0,16 kg

Schaltung  
 circuit

Potentiometertyp  
 potentiometertype



SMON6VR--B--B--  
 GMON6VR--B--B--

Gewicht: 0,2 kg  
 weight: 0,2 kg