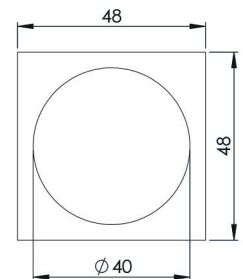
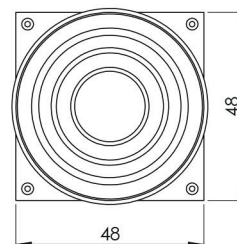
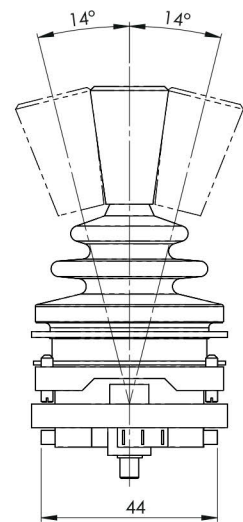
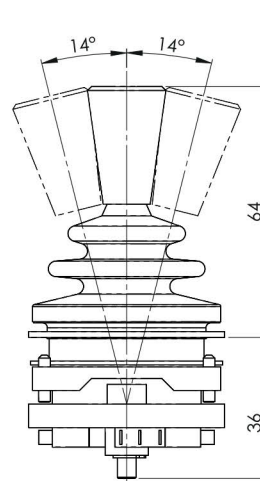
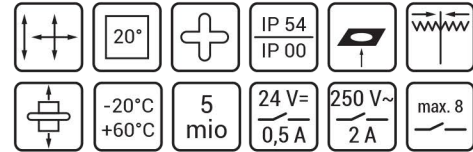


MON-WK

Small installation depth.

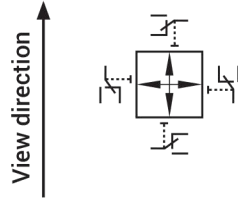
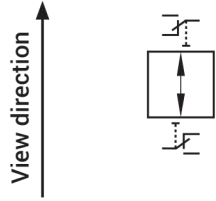


Due to its small size the joystick MON-WK is ideal for installation in casings with limited mounting depth. Despite its compact design it comes with a 1- or 2-axis version with spring return. Its body, made of durable plastic, serves as a carrier for the microswitches with snap characteristic and two way contact. For each switching direction a microswitch with changeover contact is available. The contact system switches DC voltages / DC currents just as reliably as AC voltages.

The hollow lever, made of metal for reasons of stability, allows the construction of a handle with pushbutton. For applications with specific switching functions the joystick can be equipped with a cross or special gate. As a control switch for auxiliary functions it is, due to its low weight, ideally suited for installation in portable consoles as well as in fixed stations.

Drive E

Drive V



MON 5 ER WK

MON 5 VR WK.WK

Scope of supply, type code

Scope of supply MON-WK:

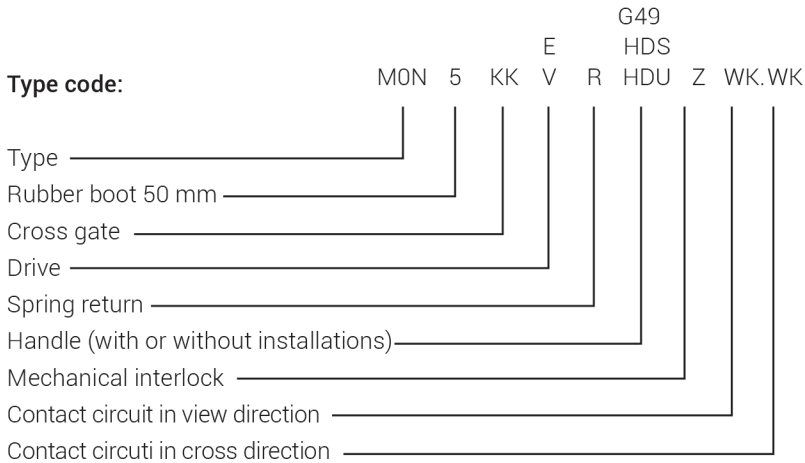
- Handle G49 (without inserts)
- Rubber boot 50 mm
- Spring return
- Microswitch with soldered connection

Handles:

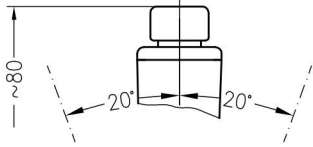
Fitting in handle

see sheet G-M054

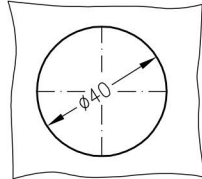
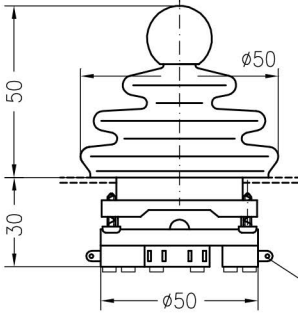
- Cross gate KK
- Mechanical interlock Z
- Ball handle KG
- Wiring to connection cable or plug



1-0-1 Stellungen mit Selbstrückgang
1-0-1 steps with spring return



Einbauöffnung
ø40 mm
mounting dimension



Lötanschlüsse
soldering taps

Ohmsche Last 250 V ~ AC 2 A
ohmic value 24 V = DC 1 A

Silberkontakt mit
Goldalage
silver contact,
gold plated



Mikroschalter 1S, 10
microswitch 1NO, 1NC
MON5ER(HD)OS



Silberkontakt
silver contact

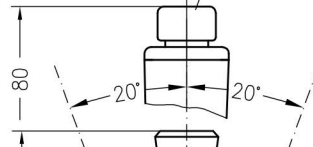
Mikroschalter 1 Wechsler
microswitch 1change over contact
MON5ER(HD)WK



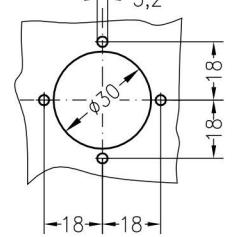
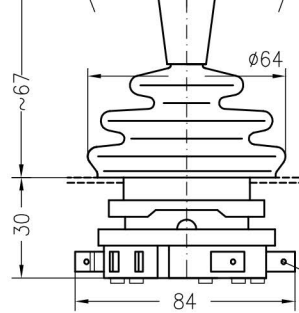
MON5VR(HD)OS OS

MON5VR(HD)WK WK

evtl. mit Taste
push button in handle on request



Einbauöffnung
ø30 mm
mounting dimension



Flachsteckanschluß 6,3x1
faston taps

Ohmsche Last 250 V ~ AC 6 A
ohmic value 24 V = DC 1 A

Silberkontakt
silver contact



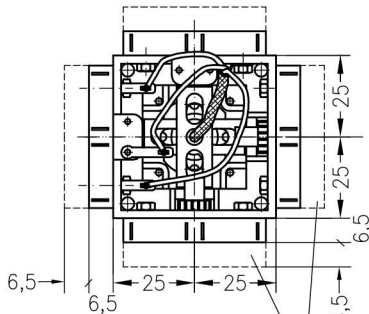
ind.250 V ~ 3 A
cos. ø = 0,7 φ

Mikroschalter 1 Wechsler
microswitch 1change over contact

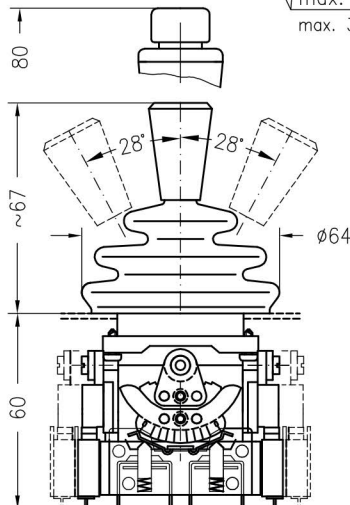
MON6ER(HD)W



MON6VR(HD)W W



max. 3 Doppelkontakte
max. 3 double cont. elements



max. 5-0-5 Stellungen
mit oder ohne Selbstrückgang
5-0-5 steps

zwangsbetätigte Tastkontakte mit
Goldalage oder Silberauflage
force actuated goldcontacts or
silvercontacts

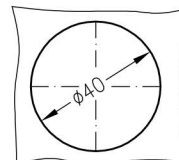
Typ

GMON6E...
SMON6E...

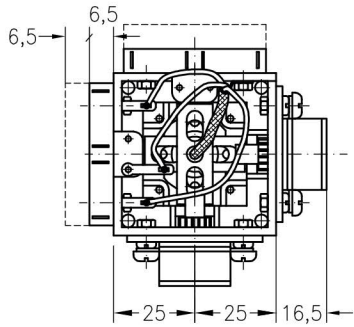


GMON6V...
SMON6V...

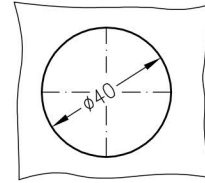
Gewicht ~ 0,1 kg
weight ~ 0,1 kg



Einbauöffnung
ø40 mm
mounting dimension

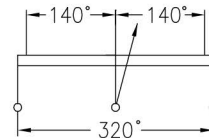


Einbauöffnung
 Ø40 mm
 mounting dimension



evtl. mit Impedanzwandler 4–20 mA
 potentiometer – conductiv plastic

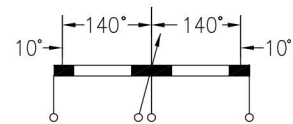
Potentiometer ohne Mittelanzapfung
 potentiometer without centre tap



Leitplastik
 conductiv plastic
 1 kOhm Typ : B1
 5 kOhm : B5
 10 kOhm : B10

Achtung Schleiferbelastung max. 1 mA
 warning: wiper current max. 1 mA

Potentiometer mit Mittelanzapfung und Kurzschlußstrecken
 potentiometer with centre tap and short circuit path

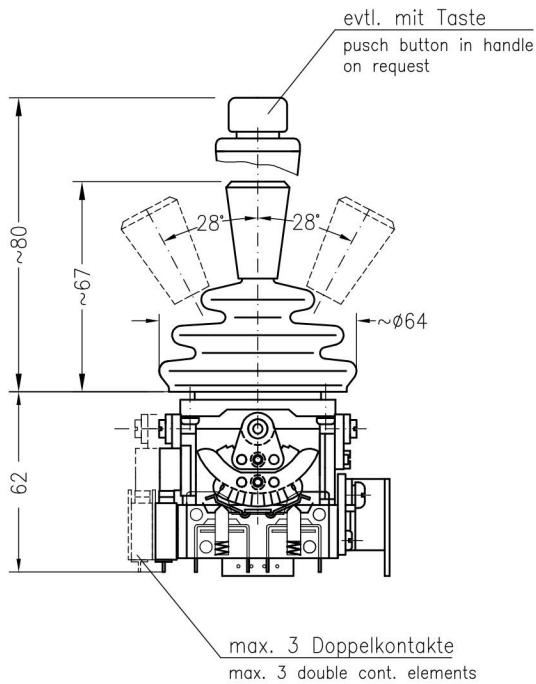


Leitplastik
 conductiv plastic
 5–0–5 kOhm Typ: B55
 10–0–10 kOhm Typ: B1010

Achtung: Schleiferbelastung max. 1 mA
 warning: wiper current max. 1 mA

Drahtgewickelte Potentiometer – 2 Watt
 potentiometer wire wound – 2 Watt
 PD 200 1–0–1 kOhm
 5–0–5 kOhm
 10–0–10 kOhm

Andere Potentiometer und Ohmwerte,
 bzw. Spannungs- oder Stromausgang
 auf Anfrage
 other potentiometer or ohmic value
 on request



Typ: SMON6ER--B
 GMON6ER--B

Gewicht: 0,16 kg
 weight: 0,16 kg

Schaltung
 circuit

Potentiometertyp
 potentiometertype



SMON6VR--B--B--
 GMON6VR--B--B--

Gewicht: 0,2 kg
 weight: 0,2 kg