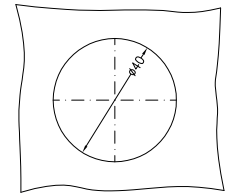
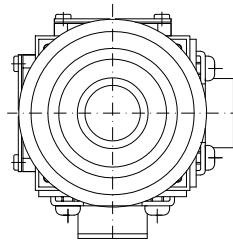
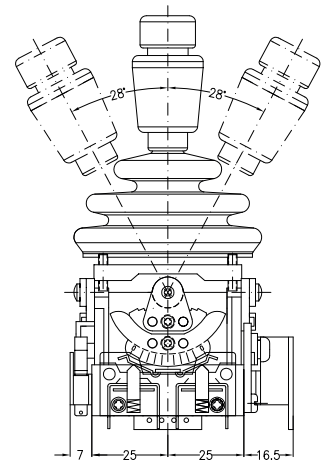
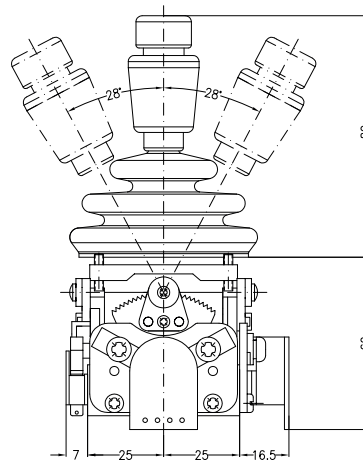
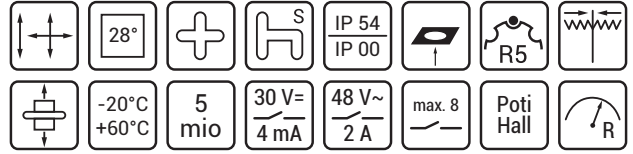


# MON

Small, durable and reliable.

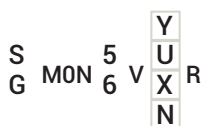
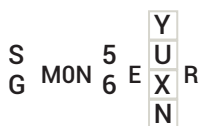
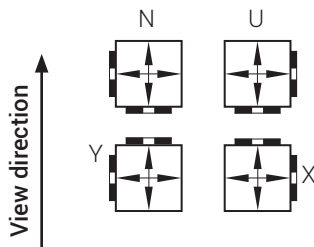
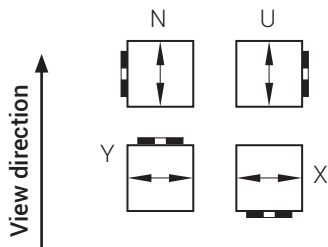


The M0 joystick is designed for digital applications with up to 5-0-5 step output and / or analogue applications with stepless output potentiometers. Micro-switches or analogue sensors are installed with modular double contacts on the drive block made of durable PA6 GF30 plastic. Of course, resistance to ozone, UV radiation, oil, and maritime climate is mandatory. Despite a very low installation depth, both a single drive and dual drive with spring-return can be provided. With installation of micro-switches, the joystick developed for low voltages


can also be used for operating voltages of up to 230 VAC. For added stability, the high handle shaft was produced from metal and thus installation of a pushbutton in the handle is also enabled. With a potentiometer mounted, the lever deflection is 28°. The installation of a cross gate or special gates allows special switching functions. With its low weight and small dimensions, the joystick is intended for installation in portable panels and as a control switch for auxiliary functions.

Drive E  
Arrangement N, U, Y, X

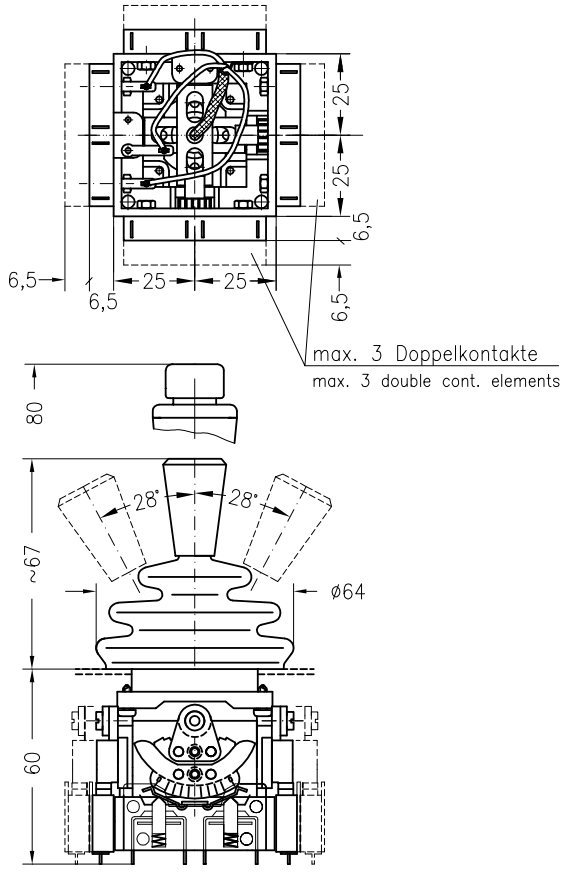
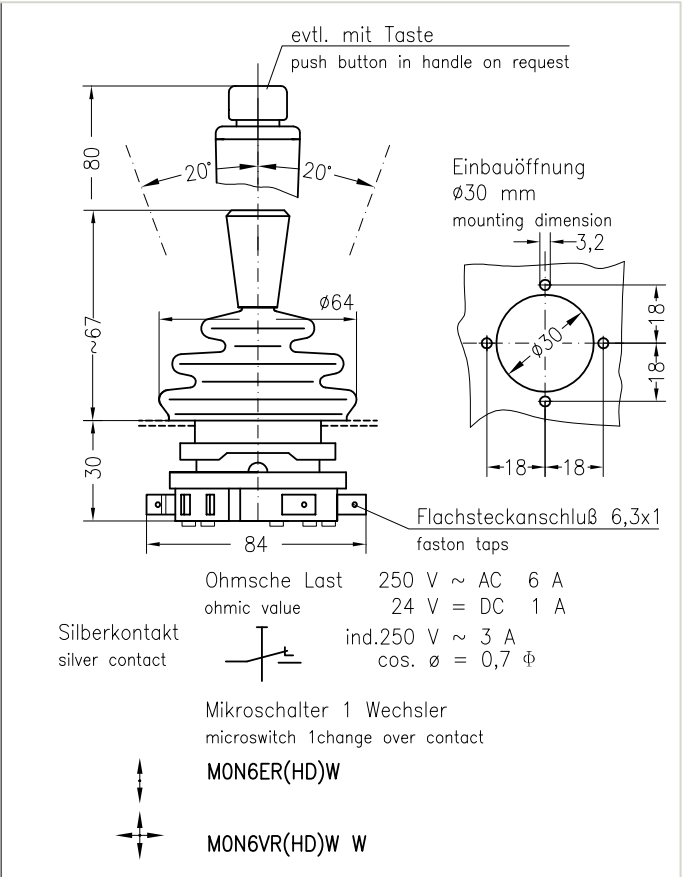
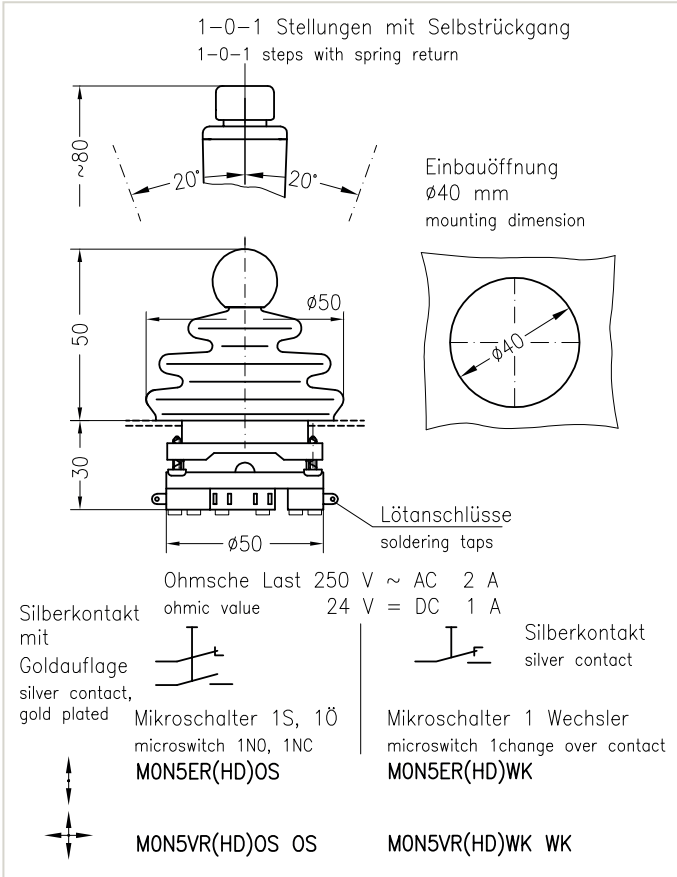
Drive V  
Arrangement N, U, Y, X

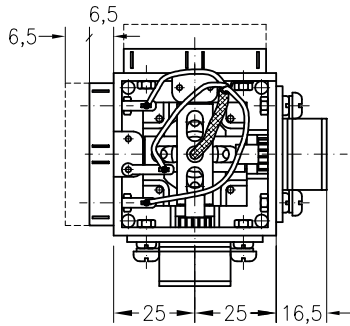


Note: In case of missing declaration of arrangement, version U will be produced.

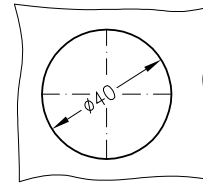
Legend:  Mounting direction Potentiometer





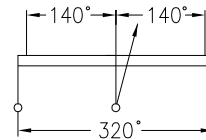


Einbauöffnung  
 ø40 mm  
 mounting dimension



evtl. mit Impedanzwandler 4–20 mA  
 potentiometer – conductiv plastic

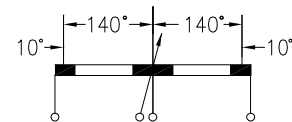
Potentiometer ohne Mittelanzapfung  
 potentiometer without centre tap



Leitplastik  
 conductivplastic  
 1 kOhm Typ : B1  
 5 kOhm : B5  
 10 kOhm : B10

Achtung Schleiferbelastung max. 1 mA  
 warning: wiper current max. 1 mA

Potentiometer mit Mittelanzapfung und Kurzschlußstrecken  
 potentiometer with centre tap and short circuit path

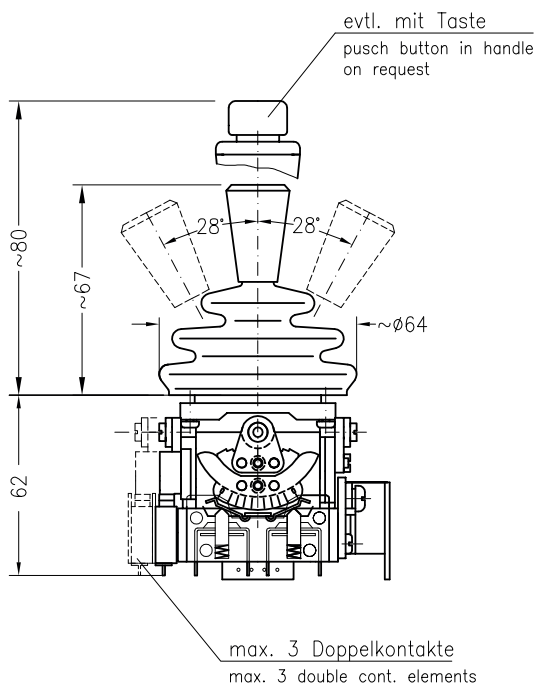


Leitplastik  
 conductiv plastic  
 5–0–5 kOhm Typ: B55  
 10–0–10 kOhm Typ: B1010

Achtung: Schleiferbelastung max. 1 mA  
 warning: wiper current max. 1 mA

Drahtgewickelte Potentiometer – 2 Watt  
 potentiometer wire wound – 2 Watt  
 PD 200 1–0–1 kOhm  
 5–0–5 kOhm  
 10–0–10 kOhm

Andere Potentiometer und Ohmwerte,  
 bzw. Spannungs- oder Stromausgang  
 auf Anfrage  
 other potentiometer or ohmic value  
 on request



Typ: SMON6ER--B  
 GMON6ER--B

Gewicht: 0,16 kg  
 weight: 0,16 kg

Schaltung  
 circuit

Potentiometertyp  
 potentiometertype



SMON6VR--B--B--  
 GMON6VR--B--B--

Gewicht: 0,2 kg  
 weight: 0,2 kg