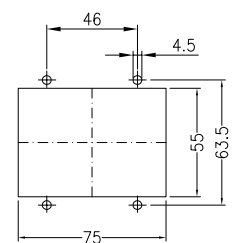
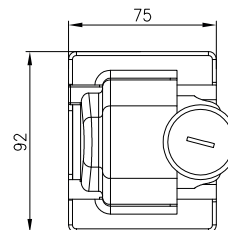
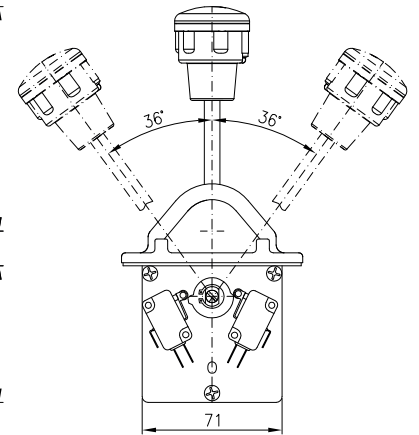
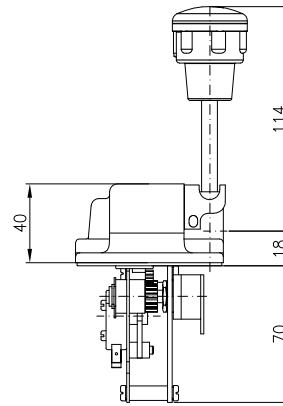
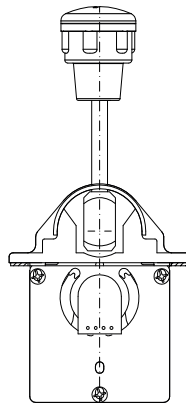
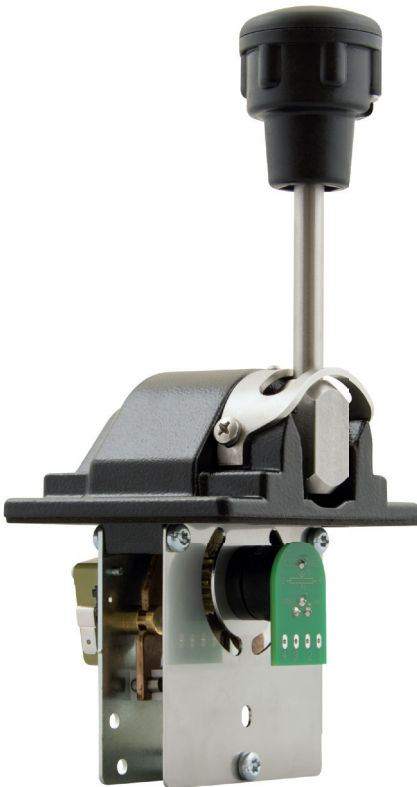
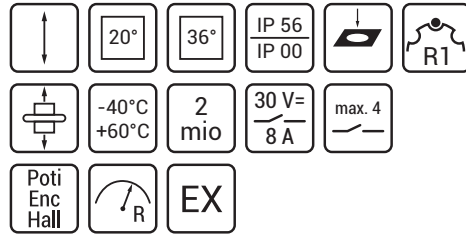


ST1

For extreme environmental requirements.



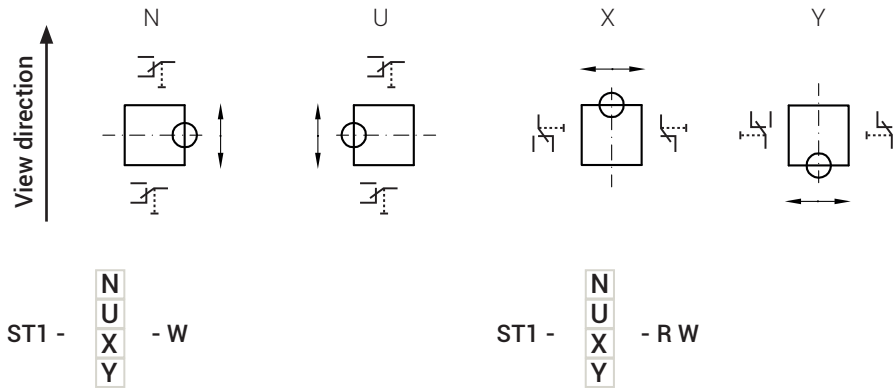
The requirement of assuring a high permanent IP protection rating on the panel top side led to the development of the ST1 joystick with chromated cast console.

The lever, made of stainless steel precisely controls contacts, potentiometers or encoders.

The version with 1-0-1 positions is available as a stayput version or with spring return into middle position. The stepless drive with potentiometer is available with spring return system or with friction brake.

This joystick demonstrates its durability and reliability on ships, yachts, oil rigs, or steel mills.

Drive for 1-0-1 position
Arrangement N, U, X, Y



Scope of delivery/ features:

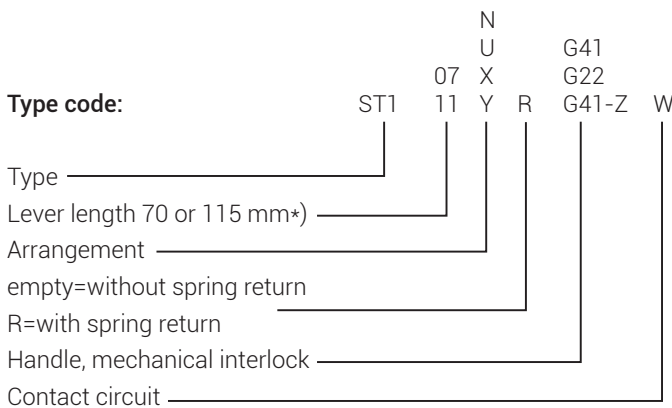
- Handle G41
- Lever deflection $\pm 20^\circ$
- ST1 without spring return
- ST1-R with spring return
- Lever length 115 mm
- Contact circuit W
- Chromated housing
- Limiting plate made of stainless steel

Additional technical information:

- Mechanical TI-ST1
- Contact circuits see TI-S-8

Options:

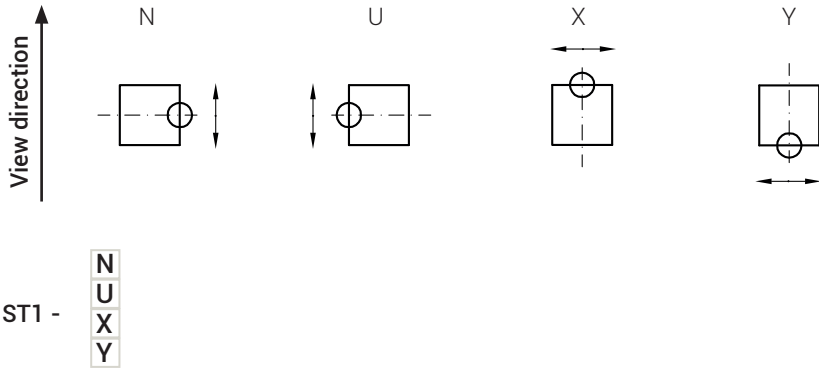
- Mechanical interlock Z with handle G41-Z
- Handles according to combination table G-Ü
- Lever length 70 mm *)
- Low temperature version down to -40°C
- Wiring to connection cable or plug



Note:

*) Joystick with G40 handle only in combination with lever length 07.

Drive stepless with microswitches and potentiometer
Arrangement N, U, X, Y



Scope of delivery/ features:

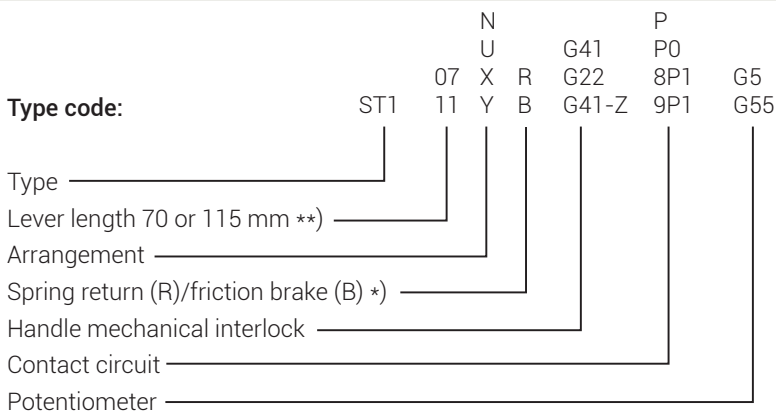
- Handle G41
- Lever deflection ca. $\pm 36^\circ$
- Lever length 115 mm
- Without spring return, friction brake *)
- Chromated housing
- Limiting plate made of stainless steel

Additional technical information:

- Mechanical TI-ST1
- Switching see TI-S-8

Options:

- Spring return R
- Friction brake B
- Mechanical interlock Z with handle G41-Z
- Special notching disc
- Contact circuit: P0
 - P, 8P1
 - 9P1
- Potentiometer
- Handles according to combination table G-Ü
- Version for potentially explosive area
- Lever length 70 mm **)
- Wiring to connection cable or plug



Note:

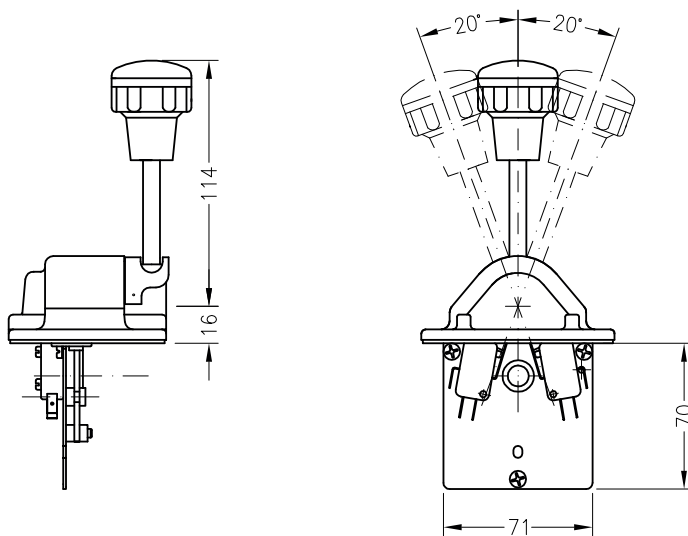
*) One option must be selected.

***) Joystick with G40 handle only in combination with lever length 07.

1-0-1 Stellungen

ohne Potentiometer
siehe Seite J-ST1-2/2

1-0-1 step
without potentiometer
see sheet J-ST1-2/2

**mit Potentiometer**

siehe Seite J-ST1-2/2
with potentiometer
see sheet J-ST1-2/2

