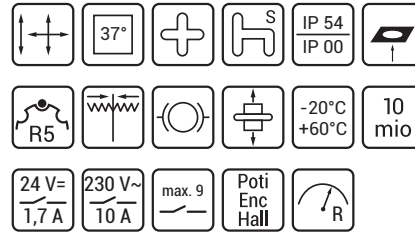
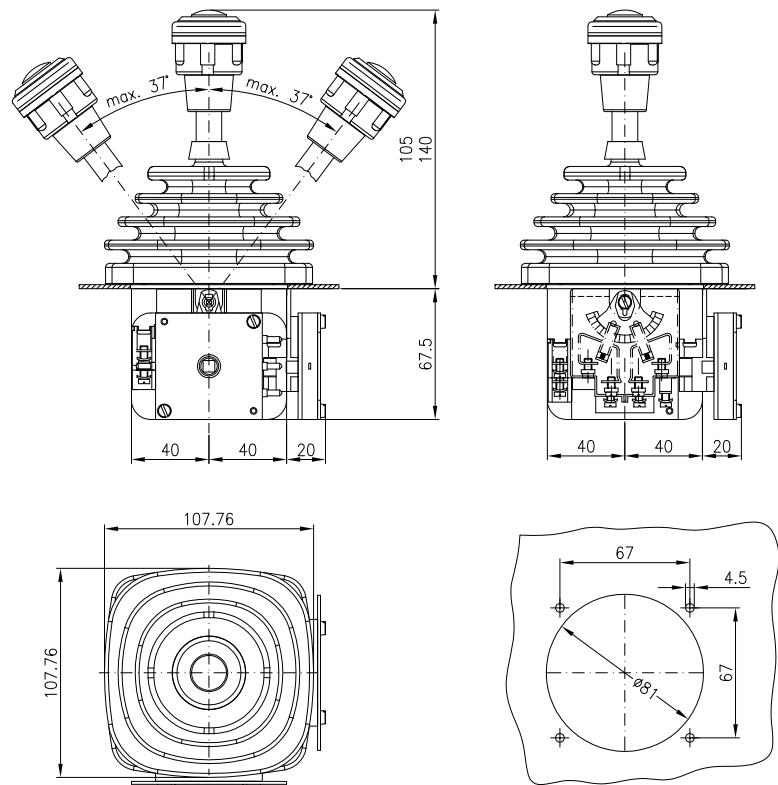


VCS0

Our classic.



Picture:
Rubber boot with invisible holder (S3 combination)

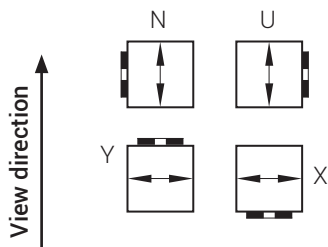


For medium-duty applications, we recommend this joystick which has been field-proven in use for decades. The drive block with special leak-current-proof, heat-resistant and cold-resistant insulation supports all mechanical components and serves as contact protection for the electrically conductive parts. An optional zero position, horn, or deadman contact (operator presence) can be integrated in the drive block for space-saving and protected installation. Insulated double contact elements for up to 250 V and 10 A are intelligently positive locking and additionally flanged securely on the drive block. Various

gates are available for mechanical limiting or guidance of the direction of movement. Standard and special circuits can also be provided with the use of up to four double contact elements per axis. Suitable potentiometers and encoders can be docked with the use of a simple sliding coupling or directly instead of a double contact element. In addition to numerous special equipment applications, this joystick is supplied as standard equipment for cranes, control stations, and in portable control consoles – thanks to its low weight.

Drive E

Arrangement U, N, X, Y

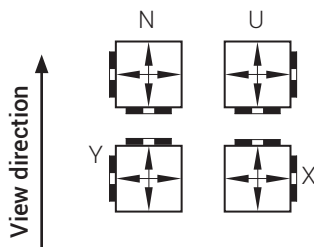


VCS0 S3 -- AK E

U
N
X
Y

Drive V

Arrangement U, N, X, Y



VCS0 S3 -- AK V

U
N
X
Y

Project planning information:

In case of missing declaration of arrangement, version U will be produced.

The orientation of the handles is always in the view direction.
The view direction is defined by the drive and the arrangement.

Legend:



— Mounting direction potentiometer/encoder

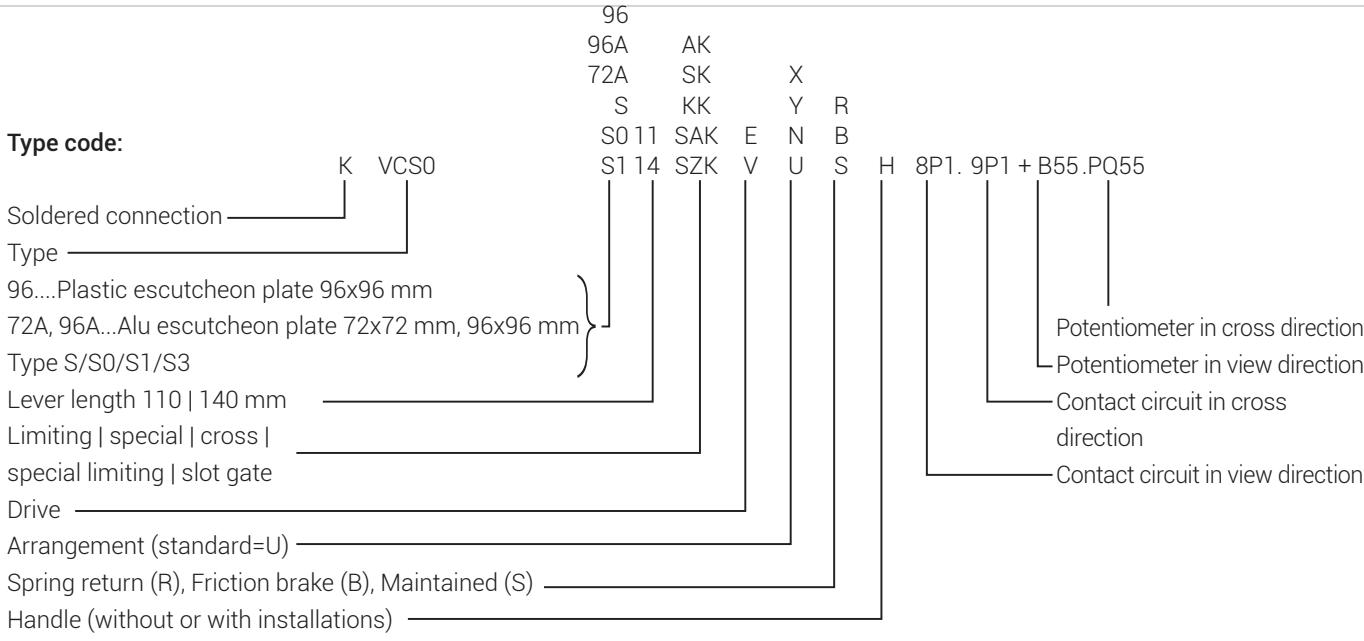
Scope of supply,
type code

Scope of supply VCS0

- Standard handle G41 (without installation)
- Rubber boot (Type S3)*
- Limiting gate 36°-0-36°

- Handles see sheet G-Ü
- Absolute encoder, potentiometer see sheet E-Electronic-1
- Circuits see sheet TI-S-5

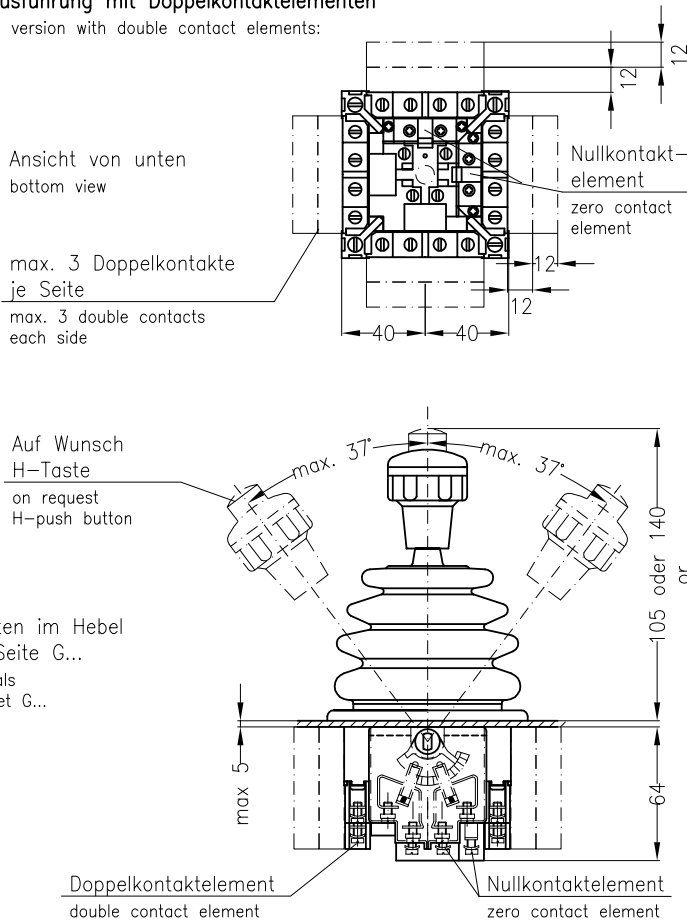
- Circuits
- Spring return per axis R
- Friction brake per axis B
- Special limiting gate SAK
- Cross gate KK
- Special gate SK
- Slot gate SZK
- Special notching segment
- Engraving per line (max. 14 letters, inscription in plain text)
- Aluminium-escutcheon plate black 72x72 or 96x96 (escutcheon plate 72x72 mm not labeled)
- Plastic escutcheon plate 96x96, clear with foil, foil freely inscribable
- Version with plastic escutcheon plate and 2 sealings acc. to V04828-2
- Escutcheon plate S1 (V048-100-A1, necessary in combination with UGN-handle)
- Escutcheon plate S, S0
- Mechanical interlock
- Wiring to connection cable or plug



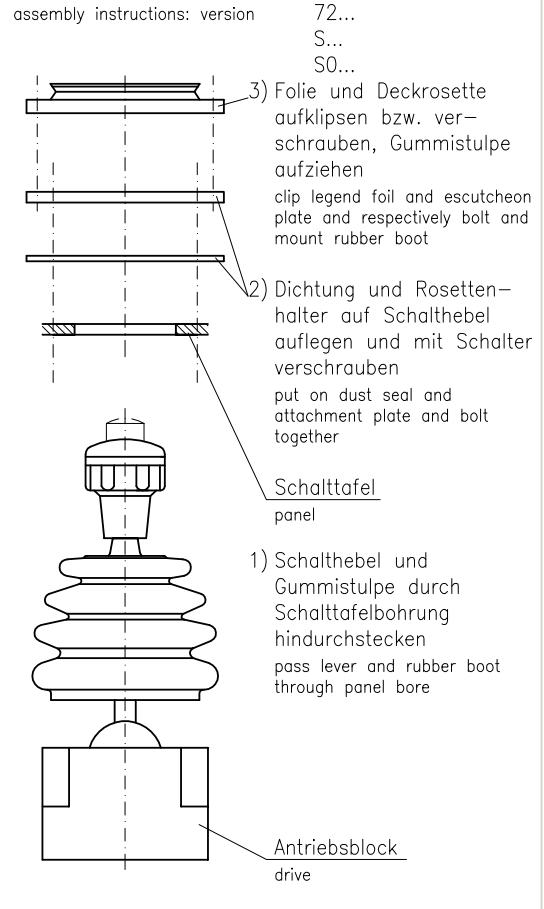
* Please consider the dimensions on page J-VCS0-1/2.

Grundausführung mit Doppelkontaktelementen

standard version with double contact elements:

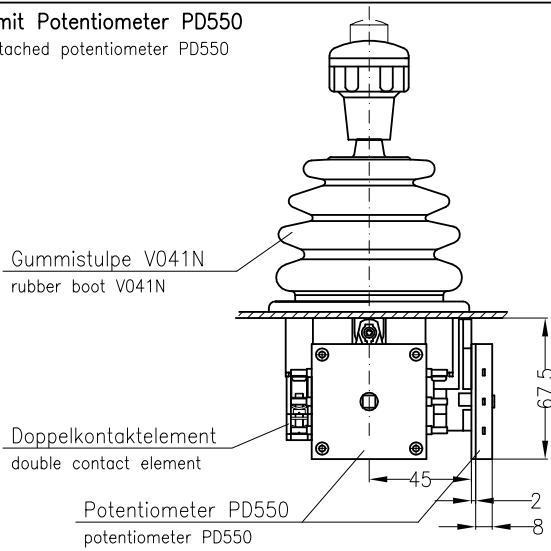


Montageanleitung Ausführung 96...

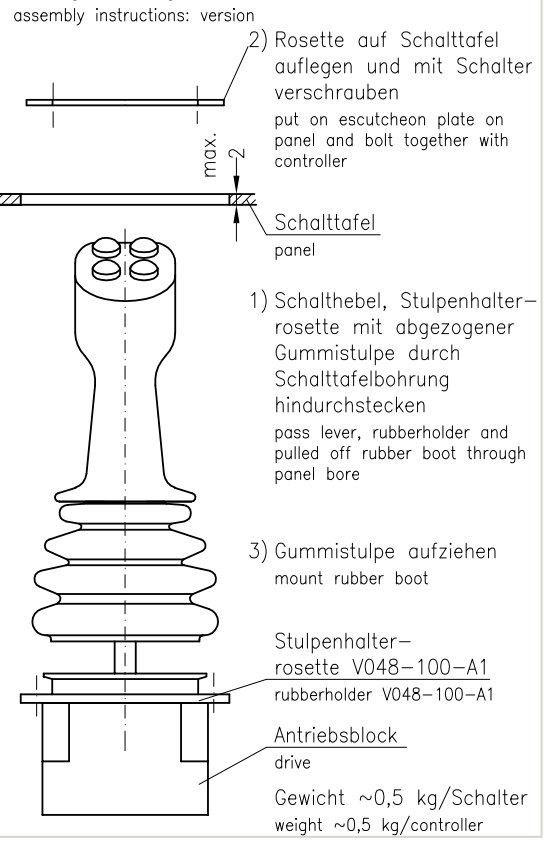


Ausführung mit Potentiometer PD550

version with attached potentiometer PD550

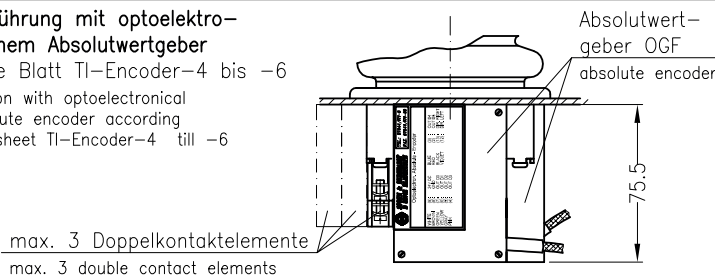


Montageanleitung Ausführung S1...



Ausführung mit optoelektronischem Absolutwertgeber

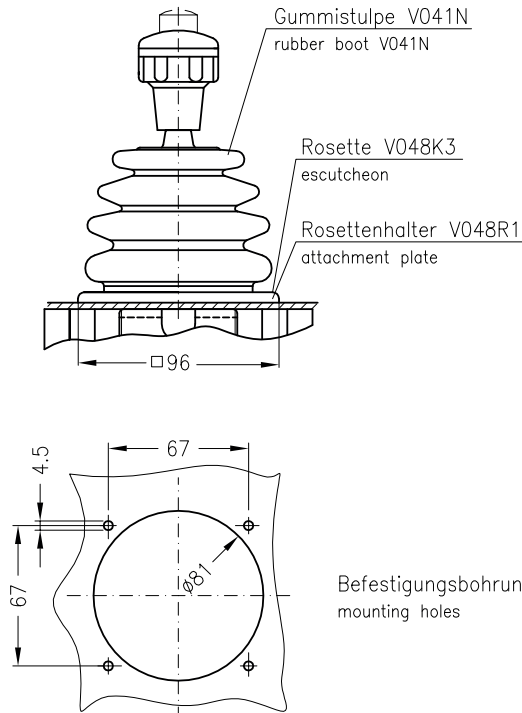
siehe Blatt TI-Encoder-4 bis -6
version with optoelectrical absolute encoder according see sheet TI-Encoder-4 till -6



Gewicht ~0,5 kg/Schalter
weight ~0,5 kg/controller

Ausführung VCS0 96...

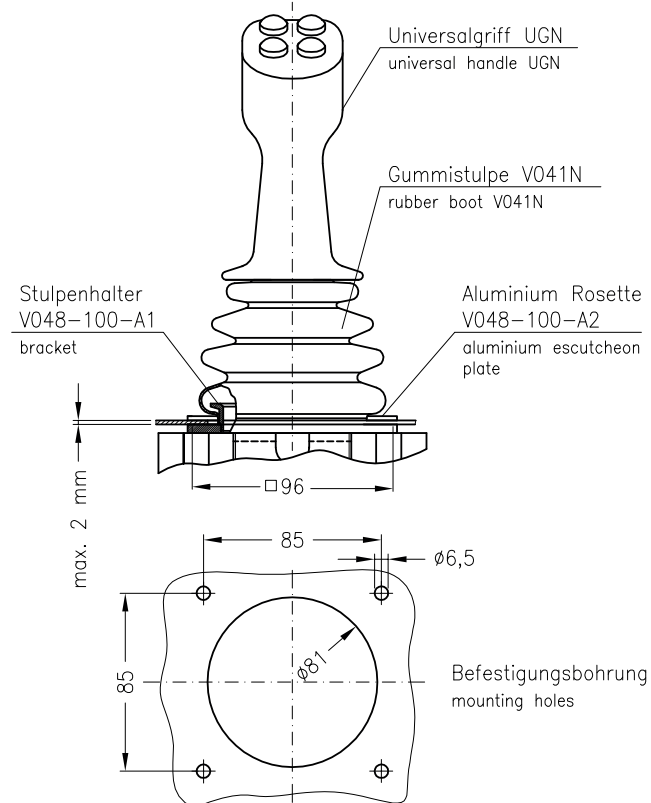
mit transparenter Kunststoff-Rosette 96x96 und Beschriftungsfolie
with transparent escutcheon plate 96x96 and inscription foil

**Hinweis:**

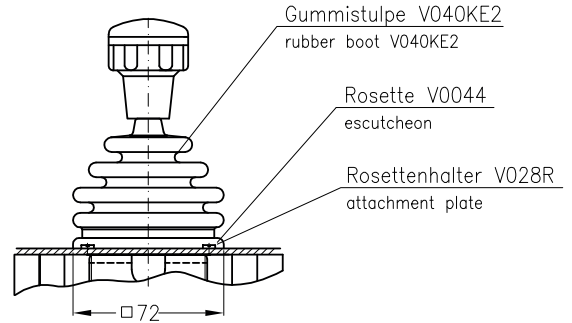
Auf Wunsch mit geschraubter schwarzer Aluminiumrosette 96x96
On request with screwed black aluminium escutcheon plate 96x96

Ausführung VCS0 S1...

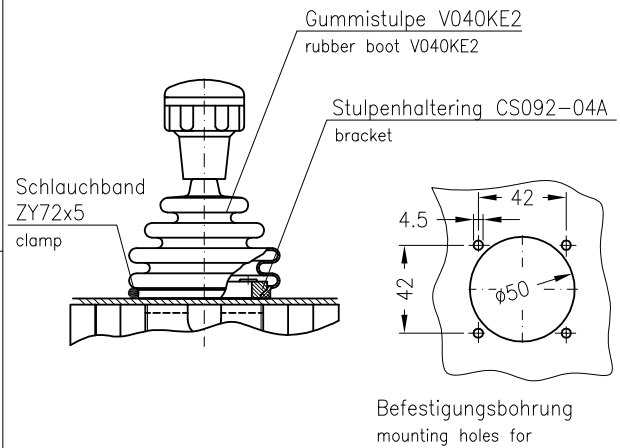
mit Stulpenhalterrosette S1
with bracket for rubber boot + escutcheon plate

**Ausführung VCS0 72...**

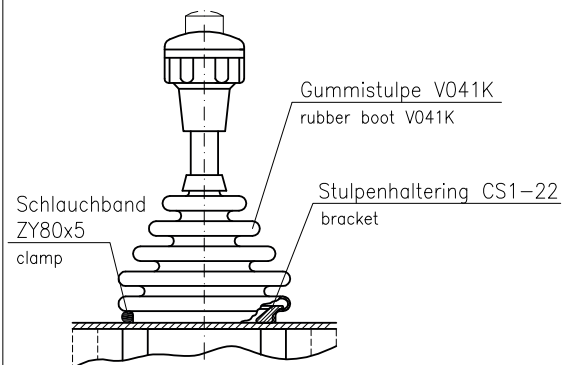
mit Aluminium Rosette schwarz 72x72, nicht beschriftbar
with aluminium escutcheon plate black 72x72, not inscribable

**Ausführung VCS0 S0...**

mit Stulpenhalterung S0
with bracket for rubber boot

**Ausführung VCS0 S...**

mit Stulpenhalterung S
with bracket for rubber boot

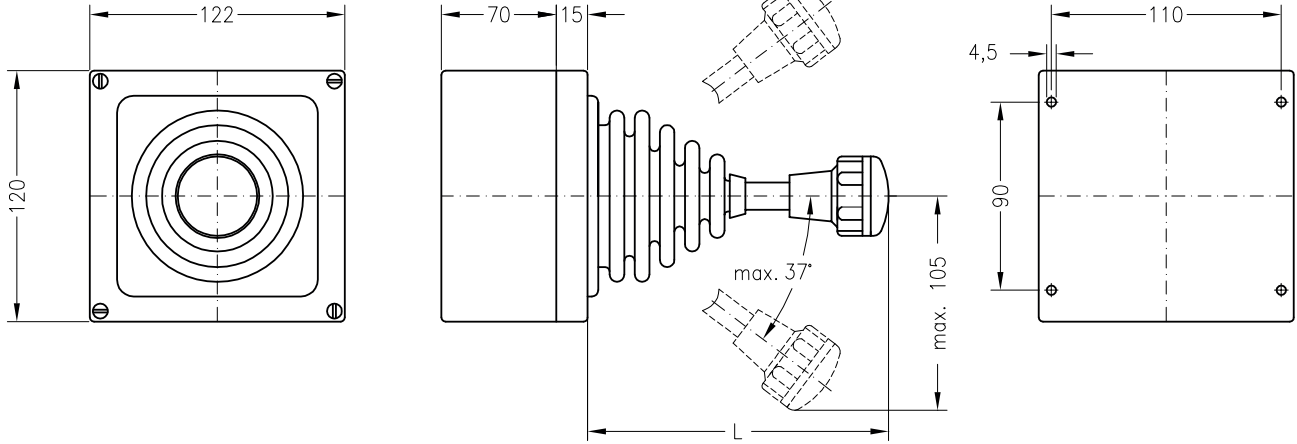


Gewicht ~0,5kg/Schalter
weight ~0,5kg/controller

Typ CS0-M1

M0- M1

Material: PC grau
material: PC grey



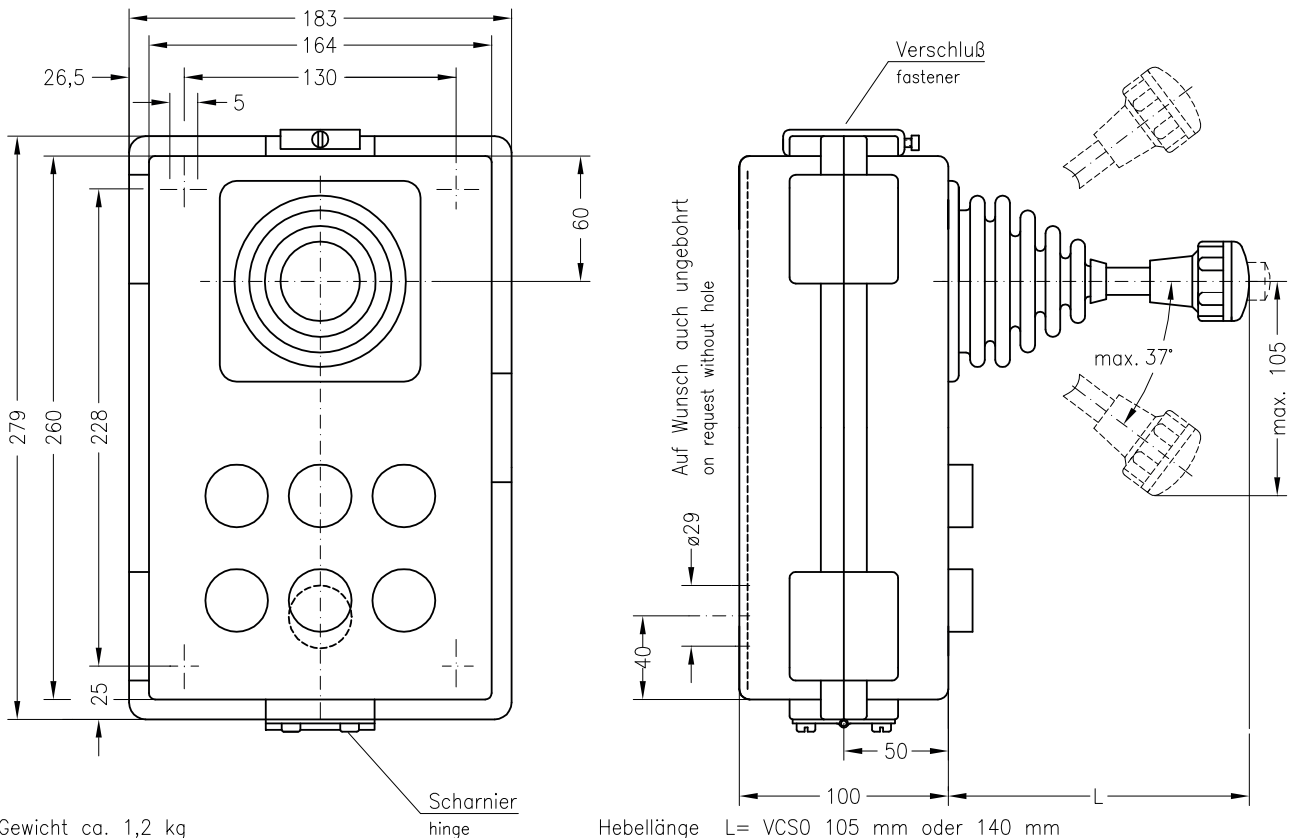
Gewicht ca. 0,8 kg
weight app. 0.8 kg

Hebellänge L= VCS0 105 mm oder 140 mm
shaft length M0 67 mm bzw. 80 mm mit HD

Typ CS0-M3

M0- M3

Material: PA 6 gelb
material: PA 6 yellow



Gewicht ca. 1,2 kg
weight app. 1.2 kg

Hebellänge L= VCS0 105 mm oder 140 mm
shaft length M0 67 mm bzw. 80 mm mit HD